

The Honeywell Spectre Solution

OVERVIEW

Honeywell's Spectre offering is designed to provide a simple, yet effective, energy management solution that extends Honeywell's energy savings to guestroom lighting thus maximizing guest comfort and the hotelier's bottom line. The Spectre solution utilizes Honeywell's industry leading e528 or e7 thermostat for HVAC control and occupancy detection. The occupancy logic is extended to the switches and outlets in the room and, upon entry, the door sensor or door lock will communicate with the thermostat to turn on lights to welcome the guest. This means that the guest doesn't need to search around in the dark for the light switch. When the room is unoccupied, for a predefined time period, the lights and outlets are turned off to save energy. Lights can also be turned on and off locally by the Spectre switch.

The Spectre solution benefits both you and the guest economically, environmentally and socially whilst meeting California Title 24 energy efficiency standards. It will decrease your energy bills leading to a fast payback period, lowers your energy consumption, increase your appliances lifespan and positively enhance the guest experience. Spectre is a versatile, easy to install, out of the box solution that doesn't require new wiring and is aimed at both new constructions and retrofits. It can be part of a INNCOM standalone system or a networked energy management system and integrated into your property management system.

The Spectre Receptacle

The Spectre receptacle features one controlled outlet and one hot outlet. It has an LED indicator and push button for both control and binding. The inbuilt RF radio provides wireless communication with the INNCOM thermostat to provide functionality based on occupancy logic. The device is not intended to be powered by other devices in the guestroom including INNCOM switches such as EVORA or third party interfaces. A decora front plate must be bought separately to be used with the Spectre receptacle to match your guestroom décor.

The Spectre Switch

The Spectre switches comes in three different flavors: requiring a neutral, no neutral and non-wireless. Its simple yet effective design is intended to provide local control as well as occupancy control in line with California Title 24 requirements. The Spectre solution doesn't support dimming or complex scenes. The inbuilt RF radio provides wireless communication with the INNCOM thermostat to provide functionality based on occupancy logic. A decora front plate must be bought separately to be used with the Spectre switch to match your guestroom décor.



Spectre Features & Benefits



H.I.S. (High Inrush Stability)

Robust and reliable mechanically held latching load rating for high inrush (LED) and commercial lighting



Compatible with Multiple Load Types

Multiple luminaires including LED, inductive, incandescent, fluorescent



Standard Size for Seamless Installation

The Spectre wall switch and receptacle fits in a standard single-gang American J box



Coordinator Feature

Utilizes INNCOMs Deep Mesh backbone and wirelessly connects all products together giving a more robust and reliable system



LED Flexibility

Enable and disable LED for applications where brightness is a factor (i.e. hospitality)



Meets Title 24 Requirements

Title 24 Guest Room Occupancy Controls California Statewide Utility Codes and Standards Program



Standalone System or Networked

The versatile Spectre solution is capable of being a standalone system or networked with INNCOM's IC3 & IC5 supervisor



Quick ROI

When you have the Spectre solution installed you are instantly creating savings adding to your bottom line



Increased Guest Comfort

Provide a simple welcoming light to guests upon entry to increase comfort



CELs Integration

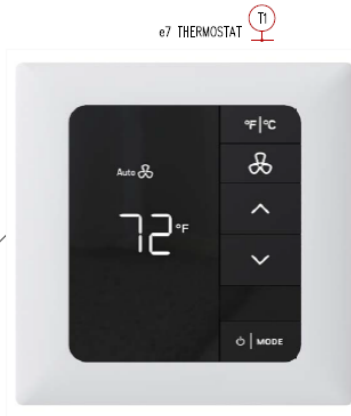
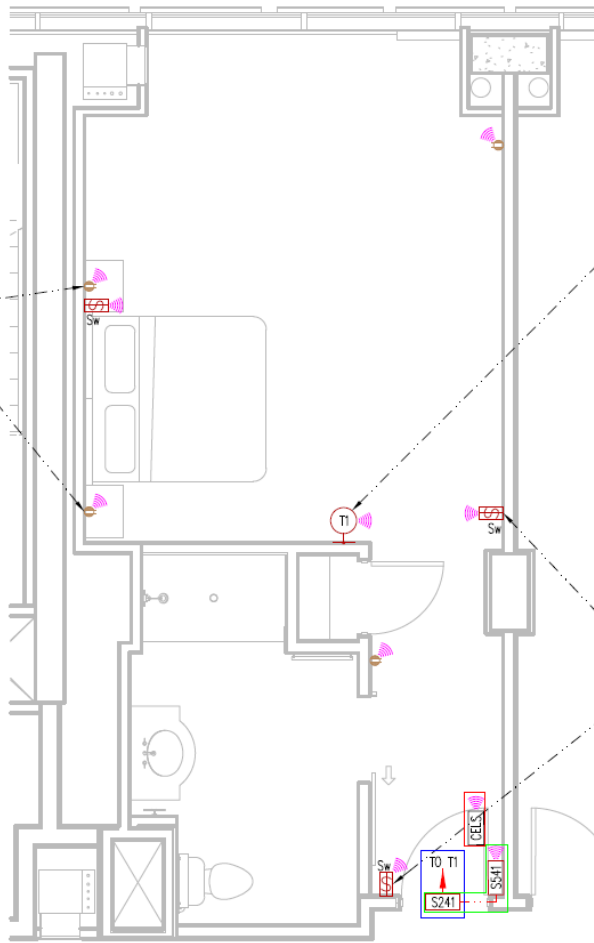
Easy third party integrations and Central Electronic Lock Systems and other technologies



Spectre Product Data

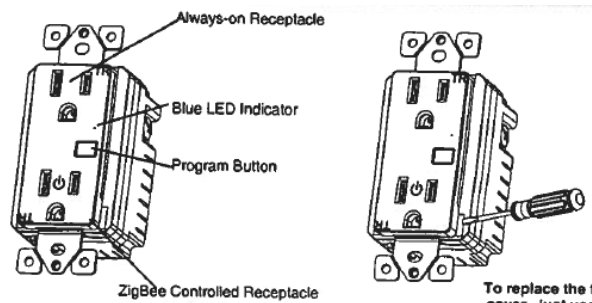
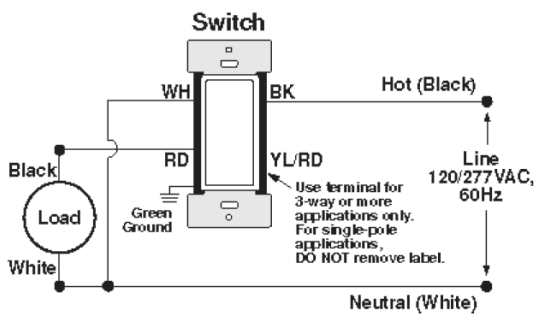
Honeywell No.	214-120	214-121	214-122	264-120	264-121
Description	15A 2.4GHz RF SPECTRE Wall Switch	No RF SPECTRE Remote Switch	10A 2.4 GHz RF SPECTRE Wall Switch, No Neutral	15A 2.4GHz RF SPECTRE Receptacle	15A 2.4GHz RF Plug-In Outlet
Package description	RF Switch, With Neutral	Coordinating Switch Remote	RF Switch, No Neutral	Tamper Resistant Receptacle	RF Plug-In Outlet
Voltage, Frequency					
120VAC- 60Hz	Yes	Yes	Yes	Yes	Yes
230VAC - 60 Hz	--	Yes	Yes	--	--
277VAC - 60 Hz	Yes (8A)	Yes	Yes	--	--
Load Rating					
LED/CFL	600W	NA	400W	600W	600W
Resistive	1800W	NA	NA	1800 W (15A)	1800W
Incandescent/Halogen	1800W	NA	800W	1000W	1800W
Fluorescent	1800VA	NA	1200VA @ 120V 2700VA @ 277V	1200VA	1800VA
Inductive	1800VA	NA	NA	NA	1800VA
Motor	1/2 HP, 9.8A	NA	1/4HP	½ HP	½ HP 9.8A
Receptacle	NA	NA	NA	15A	15A
Mechanical					
Single Pole/3-Way applications	Yes	Yes	No	Yes	NA
Neutral Required	Yes	Yes	No	Yes	NA
Ground Required	Yes	Yes	Yes	Yes	NA
Communication Frequency					
	2.4 GHz	NA	2.4 GHz	2.4 GHz	2.4 GHz
Agency					
CA Title 24	Yes	No	Yes	Yes	Yes
FCC	Yes	No	Yes	Yes	Yes
NOM	Yes	Yes	Yes	No	Yes
UL CSA	Yes	Yes	Yes	Yes (cULus)	Yes
Misc					
Warranty	2 Years	2 Years	2 Years	2 Years	2 Years
Environmental	32-104°F (0-40°C)	32-104°F (0-40°C)	32-104°F (0-40°C)	32-104°F (0-40°C)	32-104°F (0-40°C)

The Honeywell Spectre Solution Examples



INNCOM ZIGBEE RF COMMUNICATIONS
 LOW VOLTAGE COMMUNICATION CABLE SHIELDED TWISTED PAIR, 24 AWG MINIMUM, 120 OHM CHARACTERISTIC IMPEDANCE, 2-16 PF/FT CAPACITANCE.

- INNCOM DOOR MONITORING OPTIONS
- OPTION 1 INNCOM RECESSED MAGNETIC DOOR SWITCH WIRED TO THERMOSTAT
 - OPTION 2 INNCOM RECESSED MAGNETIC DOOR SWITCH WIRED TO S541 INNCOM SWITCH WIRELESS TRANSMITTER
 - OPTION 3 CENTRAL ELECTRONIC LOCKING SYSTEM (BY THIRD PARTY)



To replace the face cover, just use a flat screwdriver to pry-off the interchangeable face cover.

