

SL210 RF Lamp Switch Product Guide

Table of Contents

Table of Contents	Page 1
Overview and General Concept	Page 2
Features.....	Page 2
Installation.....	Page 2
Battery Installation	Page 3
Mounting	Page 3
Performance	Page 4
Operating Conditions.....	Page 4
Document Revision History	Page 4

Overview and General Concepts

The SL210 is a wireless, battery powered, configurable switch that can be placed anywhere in the guestroom to control a lamp. This switch is ideal for lamps controlled by an INNCOM dimmer such as L506 or L510 in applications where local control of the lamp is required and wiring is not available. The SL210 can be placed on millwork or night stands or attached directly to the lamp base. The SL210 is available in four standard colors: White, Black, Almond, and Light Almond.



Figure 1. SL210 Battery Powered RF Lamp Switch

Features

- Replacement for the lamp's onboard rotary switch
- Quick press and press-and-hold features for dimming
- Voltage: Battery powered (CR2032) 2 year battery life
- RF Deep Mesh wireless communication
- Easy surface mountable design

Installation

Installing the SL210 is easy, but take precautions when considering the final location of the unit. This device uses wireless RF communications, which can be affected by several environmental conditions. Before permanently mounting the device, test the unit's operation in its intended location for consistent control of the lamp to ensure a strong RF signal can be achieved.

Battery Installation

The SL210 uses a CR32 battery. Access the battery holder by unsnapping the bottom housing. Install the CR32 battery into the holder. Take care to note the orientation of the bottom housing when snapping it back to the top housing assembly.

SL210 has a switch and LED located on the bottom side of the unit. When the CR32 battery is first inserted into the device, the LED will blink for 1 second. This switch and LED are used for binding. Because the SL210 can be bound by several devices, refer to the project specific documentation or uCBL manual for specific binding instructions.

Mounting

The SL210 can be easily mounted in two ways:

- The unit is equipped with double sided tape. Simply remove the wax paper protecting the double-sided tape and attach the SL210 to the chosen surface.
- The SL210 bottom housing is equipped with two screw holes. The bottom and top housings snap together at the long ends of the unit. Pry the bottom housing from the top to expose the screw holes.
- With the screw holes exposed, use two $\frac{1}{4}$ " 6/32 screws to mount the device to the chosen fixture.
- Snap the top housing assembly back to the unit. Take care to note the orientation of the bottom housing when snapping it back to the top housing assembly.

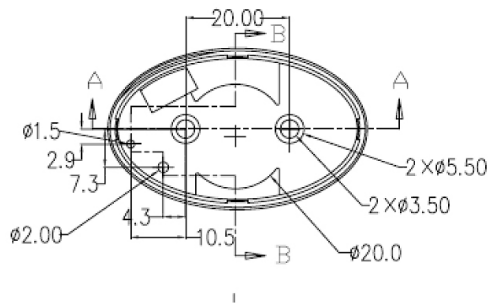


Figure 2. SL210 Installation

Performance

Performance	SL210
RF Data Rate	250kbps
Antenna Type	SMT
Indoor Range	70ft (typical*)
Outdoor Line-of-Sight Range	220-240VAC 50/60Hz Input
Transmit Power	1mW (+0dBm)
Receive Sensitivity	-94dBm
Frequency Band	2.4Ghz
Encryption	AES-128
Protocol	802.15.4, Deep Mesh
Frequency Channels	11-26
Dimensions	30mm x 50mm

**Subject to ambient environmental conditions that may cause radio interference*

Operating Conditions

Parameter	Condition
Operating Supply Voltage	3.0VDC Nominal

Document Revision History

Revision	Date issued	Reason for change
0.1	15-Oct-2012	First Draft
0.2	16-Oct-2012	Edited for style and consistence, incorporated comments
1.0	24-May-2013	First Issue
1.1	24-Jul-2013	Conform OPN to SAP
2.0	13-Apr-2017	Update to Honeywell Brand Standards

The material in this document is for information purposes only. The content and the product it describes are subject to change without notice. Honeywell makes no representations or warranties with respect to this document. In no event shall Honeywell be liable for technical or editorial omissions or mistakes in this document, nor shall it be liable for any damages, direct or incidental, arising out of or related to the use of this document. No part of this document may be reproduced in any form or by any means without prior written permission from Honeywell.

Copyright © 2017 by Honeywell International, Inc. All Rights Reserved.

Honeywell | 277 West Main Street | Niantic, CT 06357 | Phone: 1.860-739-4468 | www.INNCOM.com