

MCM4 Product Guide

Table of Contents

Table of Contents	Page 1
Overview and General Concept.....	Page 2
Application	Page 2
Installation Requirements	Page 2
Wiring	Page 3
Technical Specifications	Page 4
Ordering Specifications	Page 4
Document Revision History	Page 5

Overview and General Concepts

The MCM4 Logic Card electronic interface card allows a concentration of guest controls—such as room entry lighting, multi-room lighting scenes, master lighting on/off, and maid and privacy requests—from a single switch plate.

The MCM4 provides a gateway to the room low-voltage communication bus. Through this bus (the INNCOM S5-bus), the functionality performed by any specific switch is reconfigurable, meaning that new functionality can be established as requirements change.



Figure 1 MCM4

Application

The MCM4, a component of INNCOM's Designer Series Programmable Switch System, manages up to six DS12 switches. (The DS12 switch is shown in Figure 2.) It can be used with additional MCM4s; with INNCOM's S5XX, P564, or S217 switches; or with other qualified 3rd party momentary contact switches. The MCM4 can provide controls for a specific application. For example, the MCM4 can be configured to set the Do Not Disturb and Make Up Room signals, control lights and drapes, or send a request for butler service.

Installation Requirements

The MCM4 is a small (Figure 3 gives dimensions.), low-voltage controller. There are no associated high-voltage devices or wiring. Termination is by pinned headings (Figure 3), as defined in the Wiring section below.

Wiring

When the MCM4 is used with switches, the positions on the switch plate are numbered to always correspond to positions on the MCM4 (Figure 4); therefore, a switch in position 2, for example, will always be wired to position 2 of the MCM4.

Note: The MCM4 ports have multiplex signals and are designed for switch and LED use only.

The MCM4 can support six switches. This allows flexibility in mounting because in some applications two switch assemblies can be served by one MCM4.

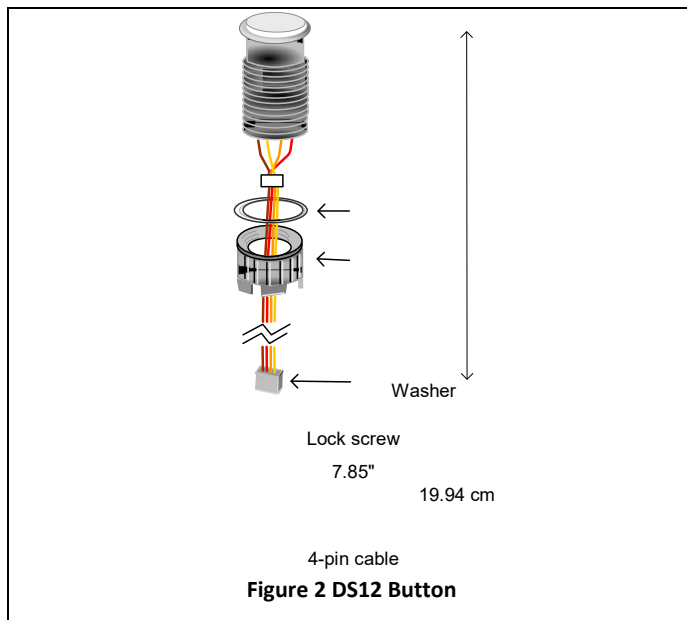


Figure 2 DS12 Button

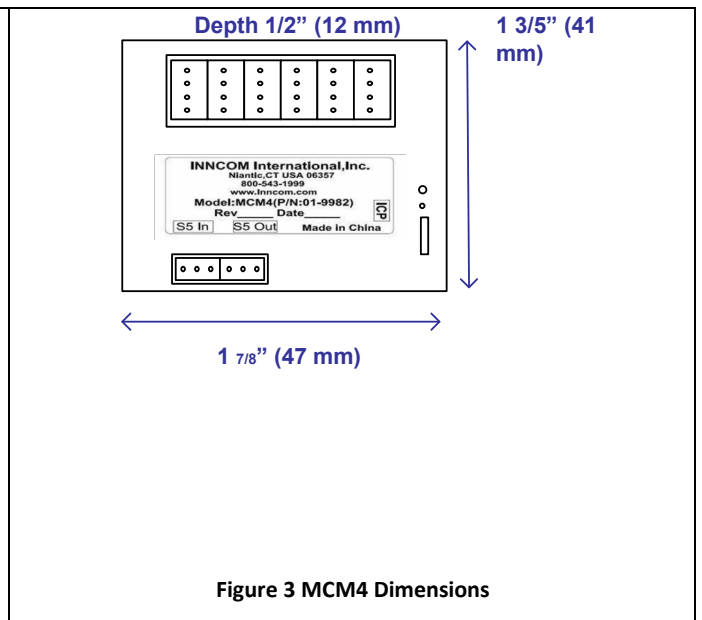


Figure 3 MCM4 Dimensions

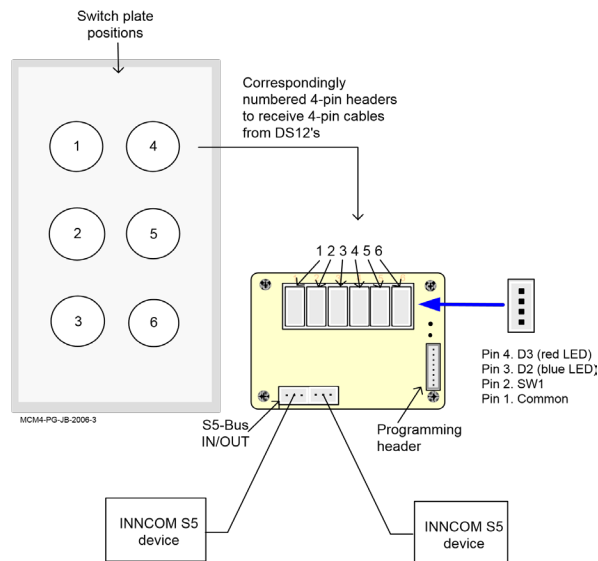


Figure 4 MCM4 Headers & Input/Output Ports

Technical Specifications

Note: The MCM4 ports have multiplex signals and are designed for switch and LED use only.

Table 1 Technical Specifications

Voltage	12VDC
Current	Maximum output 31mA (See Table 2)
Operating Environmental Dimensions	40 to 150 °F (5 to 65 °C) See Figure 3
Approvals	FCC Part 15 & CE

Table 2 Current Consumption

Current Consumption = 13 mA + N (3mA) where N is the number of DS12s connected.

Configuration Load (includes logic board)

1 DS12	16mA
2 DS12	19mA
3 DS12	22mA
4 DS12	25mA
5 DS12	28mA
6 DS12	31mA

Ordering Specifications

Model #	Description
01-9982-C0.P	Micro Controller Module

Document Revision History

Revision	Date issued	Reason for change
V1.0	11-Jun-2007	First Release
V2.0	12-Dec-2009	Additional text, formatting changes
V2.1	31-Oct-2011	Reformatted New Template
V2.2	22-Jul-2013	Conform OPN with SAP
V2.3	2-Jul-2015	Fixed drawing in Figure 4 to Match Pin Layout
V2.4	17-Mar-2017	Reformat to Honeywell Brand Standards

The material in this document is for information purposes only. The content and the product it describes are subject to change without notice. Honeywell makes no representations or warranties with respect to this document. In no event shall Honeywell be liable for technical or editorial omissions or mistakes in this document, nor shall it be liable for any damages, direct or incidental, arising out of or related to the use of this document. No part of this document may be reproduced in any form or by any means without prior written permission from Honeywell.

Copyright © 2017 by Honeywell International, Inc. All Rights Reserved.

Honeywell | 277 West Main Street | Niantic, CT 06357 | Phone: 1.860-739-4468 | www.inncom.com