

X485

Interface Board

OVERVIEW

Honeywell's INNCOM X485 is a System 5 interface board for S5-Bus devices. The X485 passes data from System 5 guestroom devices (such as the X05B) outward to the System 5 Floor Level Network (FLN5) Bridge via the Central Interface Network (CINET).

APPLICATION

FLN5/CINET communication gateway for X05B and similar devices. Acts as a room gateway for all other P5 devices.

HEADERS

- H1 CINET to Floor Bridge
- H2 RJ12 to X05B

ORDERING INFORMATION

The INNCOM Part Number for the X485 Interface Board is 02-9999. An optional, 12" (290mm) 2-pin pigtail with protective plastic sheathing is available, PN 62-1532-B.12.



X485 Interface Board

FEATURES & BENEFITS



Compact, simple device for networking rooms

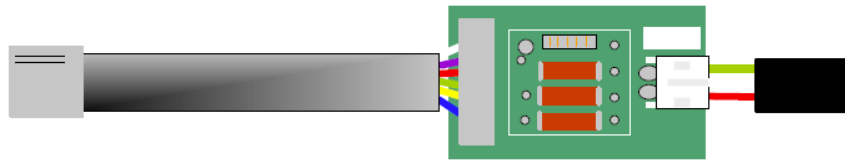


Covered with a plastic sheath to prevent breakage

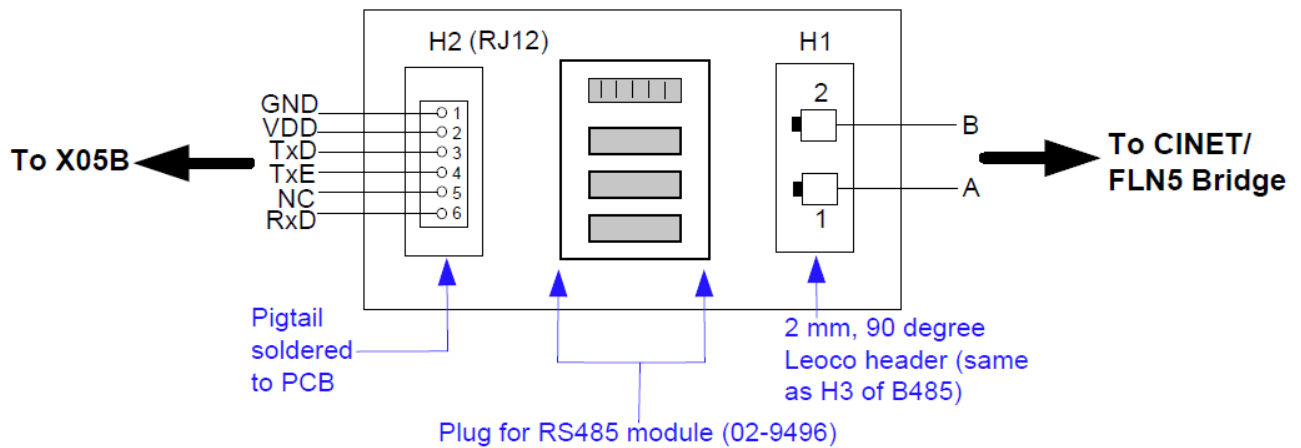
X485 Interface Board

SPECIFICATIONS

DIMENSIONS	3 1/16" L (including wire) x 1/2" W (80 mm L x 13 mm W)
OPERATING ENVIRONMENT	0 to 50 degrees C (32 to 122 degrees F), 15 to 95% RH non-condensing
STORAGE ENVIRONMENT	-40 to 70 degrees C (-40 to 158 degrees F), 15 to 99% RH non-condensing



Shown without rubber sheath



X485 Schematic

For more information

www.inncom.com

Honeywell

277 West Main Street
 Niantic, CT 06357
 +1.860.739.4468

X485 Datasheet | RevA | 04/17
 © 2017 Honeywell International Inc.

Honeywell
 THE POWER OF **CONNECTED**