

S241

Magnetic Door Switches

The S241 Magnetic Door Switch is a sensor used to monitor the open and closed status of a door. A magnet mounted into the door connects the S241 reed switch contacts when the door is closed, signaling room occupancy status.

OVERVIEW

The INNCOM S241 is used to monitor a guestroom entry door as part of Honeywell's INNCOM standalone energy management system or the Integrated Room Automation System. The heart of this system is one of Honeywell's INNCOM Smart Digital Thermostats.

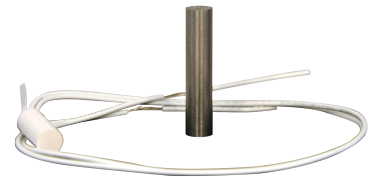
When the thermostat receives information of a change in the position of the entry door (open or closed), it considers the event in combination with information from its passive infrared motion sensor to determine whether the room is occupied or unoccupied.



S241 Resessed Door Switch



S241 Door Switch for
Sliders and Balcony Doors



S241 Door Switch
1/4" Dia., Wire leads

FEATURES & BENEFITS



Monitors open/close status of the door

May be integrated with the INNCOM Room Automation System over Deep Mesh



RF Wireless or S5Bus Communication

Transfers information to other devices such as HVAC and lighting controls

S241 Magnetic Door Switches

APPLICATION AND INSTALLATION

The S241M is a normally open reed magnet switch. Electrically, the contacts are closed when the reed switch is in close proximity to a suitable magnet. The drawing below illustrates the recommended mounting method for the switch in a hotel guestroom environment. The location of the contact was selected so that the switch will detect a door that is resting against the frame but is not latched. Placing the S241M closer to the hinge of the door will provide a “door closed” indication with increasingly open angle.

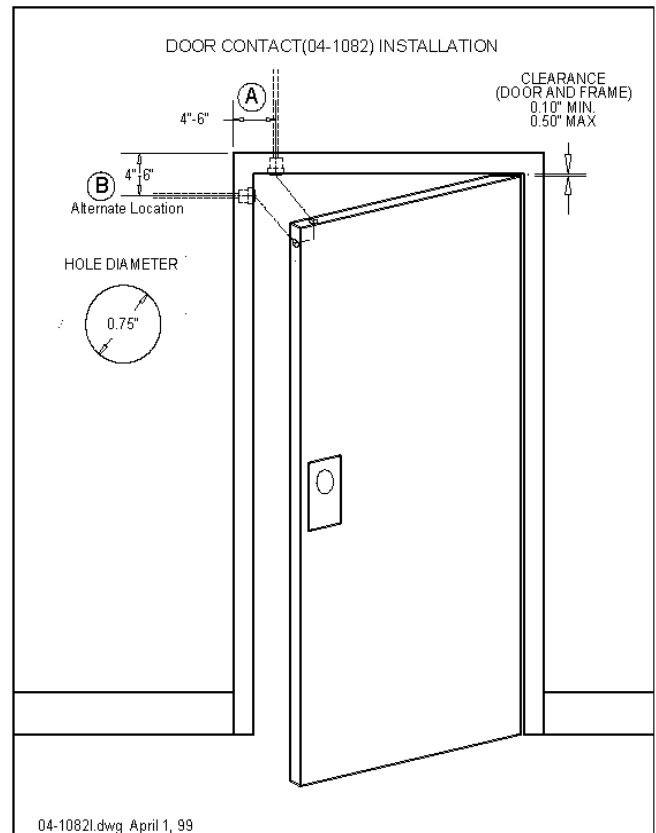
Note that the S241M has a “lip” that protrudes below the frame of the door. The spacing between the door and the frame must be able to accommodate this lip (which is about 0.060” thick).

The switch and the mating magnet may also be installed horizontally near the top, as show in the drawing as option B.

For installation in a wooden door/frame, the depth of the hole in the frame should be 2 inches and the depth of the hole in the door should be 1 inch.

MODEL	DESCRIPTION	PART NUMBER
S241	Magnetic Door Switch, Wired - recessed in door 3/4"	04-1095
S241	Magnetic Door Switch, Wired - surface mounted	04-1097
S241	Magnetic Door Switch, 1/4" Dia., Wire leads	04-1097.STB
S541-RF	Wireless Door Switch/Transmitter Switch RF5	201-913-WH.P

SPECIFICATIONS	
DIMENSIONS	3/4" diameter
MAXIMUM SWITCHING CURRENT	.500 A
MOUNTING	S241 Recessed Door Switch is recessed into door and door frame S241 Balcony and Sliders switch are magnetic contacts with screw terminals
MAXIMUM SWITCHING VOLTAGE	100VDC/VAC
MAXIMUM INITIAL CONTACT RESISTANCE	0.100 ohms
MAGNETIC CONTACT	12-22 lead gap insteel: 0.5" (13mm)
APPROVALS	UL Listed 0508C 64Z2



For more information

www.inncom.com

Honeywell Building Technologies

12 Clintonville Road
Northford, CT 06472
+1.800.543.1999

S241Data | RevC | 09/20
© 2020 Honeywell International Inc.

Honeywell
THE POWER OF CONNECTED